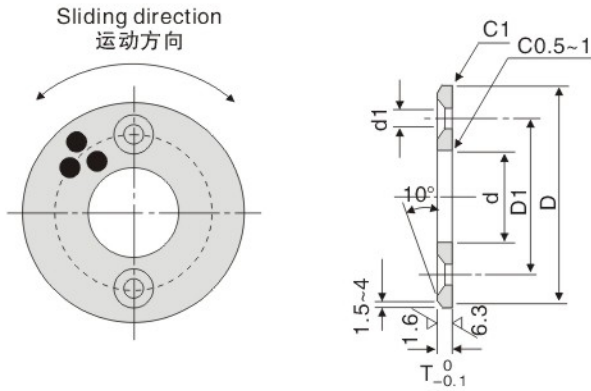


# 止推墊片 OILLESS THRUST WASHERS



材質	高力黃銅+石墨
Material	650#+Graphite

Oil free components  
無給油零件

Catalog N o.		D	T <sub>-0.1</sub> <sup>0</sup>	(螺栓孔) Bolt				
Type	d			D1	Qty	Size	d1	
JH100	10.2	30	3	—	2	M3	3.5	
	12.2			40				28
	13.2							
	14.2							
	15.2	50	3	35	2	M3	3.5	
	16.2			40				—
	18.2							
	20.2							
	25.2	55	5	40	2	M5	6	
	30.2			50				45
	35.2							
	40.2							
	45.2	60	7	67.5	2	M6	7	
	50.3			55				85
	55.3							
	60.3							
	65.3	65	8	95	4	M8	9	
	70.3			60				100
	75.3							
	80.3							
80.3	70	10	120	4	M10	11		
90.3			65				140	
100.5								
120.5								

●Order: Catalog N o. d