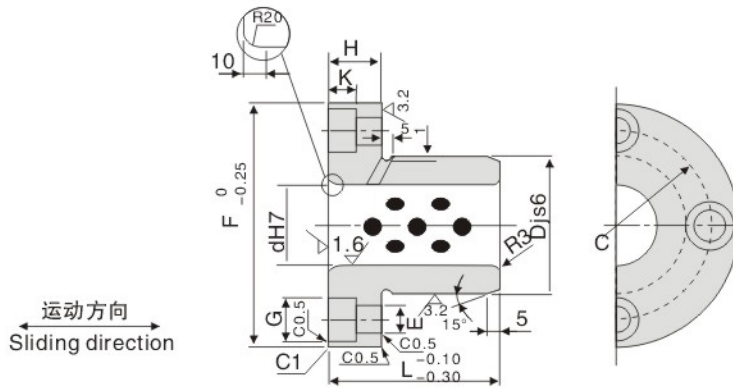


自潤導向套/自潤球鉸



OILLESS GUIDE BUSHES/OILLESS SPHERICAL PLAIN BEARING

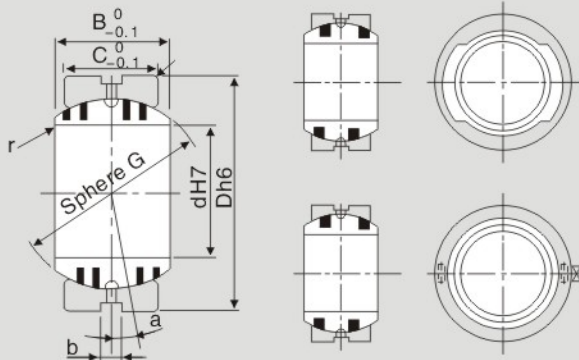


材質	FC250鑄鐵+石墨
Material	250#+Graphite

無給油零件
Oil free components

Catalog N o.		D	F	H	L	C	E	G	K
Type	d								
JH104	30	50	90	20	50	70	11	17.5	10.8
	40	60	100		65	80			
	50	75	125		80	100			
	60	85	135		100	110			
	80	110	170	25	130	140	14	20	13
100	130	190	160		150				

●Order: Catalog N o. d



Inner ring	Material	650#+Gr
Outer ring	Material	S45C
	Hardness	HRC25~30

Method of installing Inner ring:
Type A: JDBS-15~90
Insertion by splitting
Recommend shaft & housing:
Housing: H7
Shaft: g6
For common use

Catalog N o.		D	B	C	G	C1	b	Aligning angle 調整角度 a°	TYPE
Type	d								
JH105	15	26	12	9	22	R0.5	4	8	A
	20	32	16	14	28			4	
	25	42	21	18	36			5	
	30	50	27	23	44			6	
	35	55	30	26	49			5	
	40	62	33	28	55	6			
	50	80	42	36	70	R1		5	
	60	100	53	45	90			6	
	70	110	58	50	99			5	
	80	130	70	60	115			6	
90	140	76	65	125					
100	160	88	75	145		B			

Order: Catalog N o. d