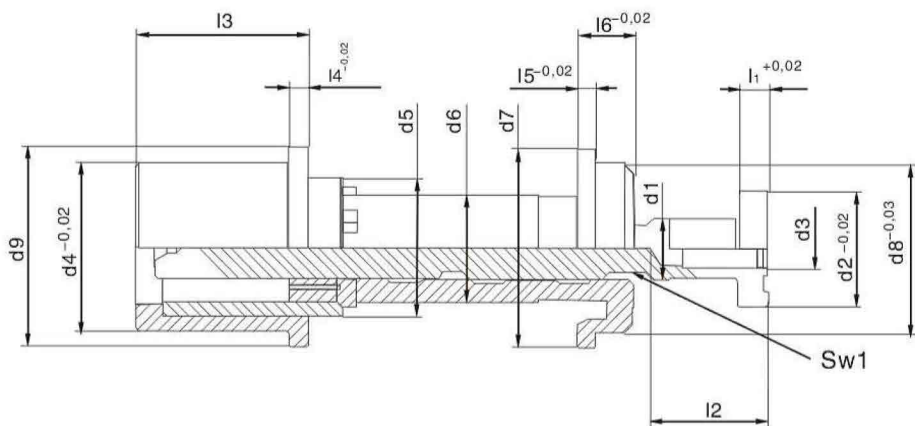
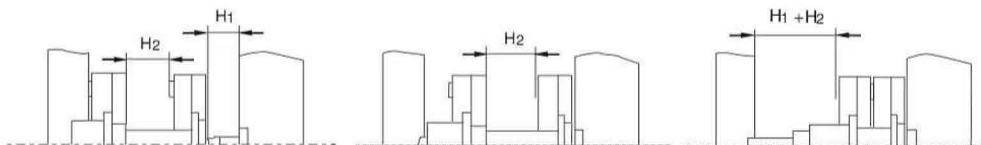




機械互鎖設計，相比其它二次頂出系列，結構更簡單，安裝更方便。
Machinery interlocking design makes makes structure much simpler and installation more convenient comparing with other second ejection series.



頂出系列
Ejector series



Type	SW ₁	16	15	14	13	12	l1	d9	d8	d7	d6	d5	d4	d3	d2	H ₁		d1	H ₂		單位價 unit price
																min.	max.		min.	max.	
Z1698/16xH2	12	15	5	5	45	28	8	52	44	52	28	36	44	M10	31	4	68	16	4	68	
20xH2	15	20	6	6	60	30	10	59	51	59	34	43	51	M12	34	5	92	20	5	92	
26xH2	20	25	8	8	74	38	12	73	64	73	43	54	64	M16	44	6	120	26	6	120	

Order: Type No. — [D1] x [Pcs]
Z1698 — 16 x 10