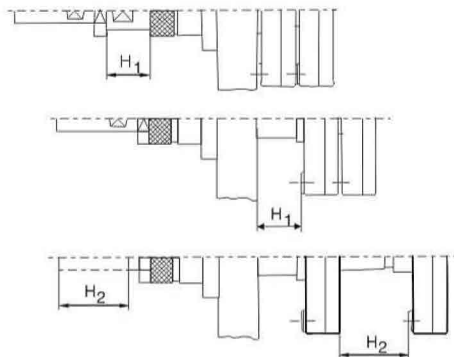
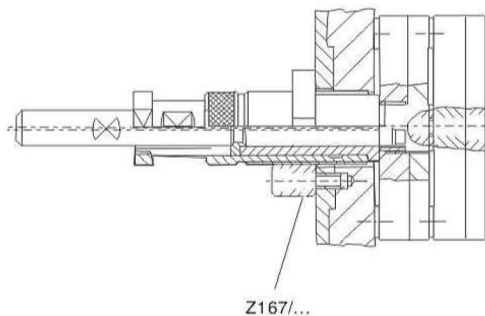
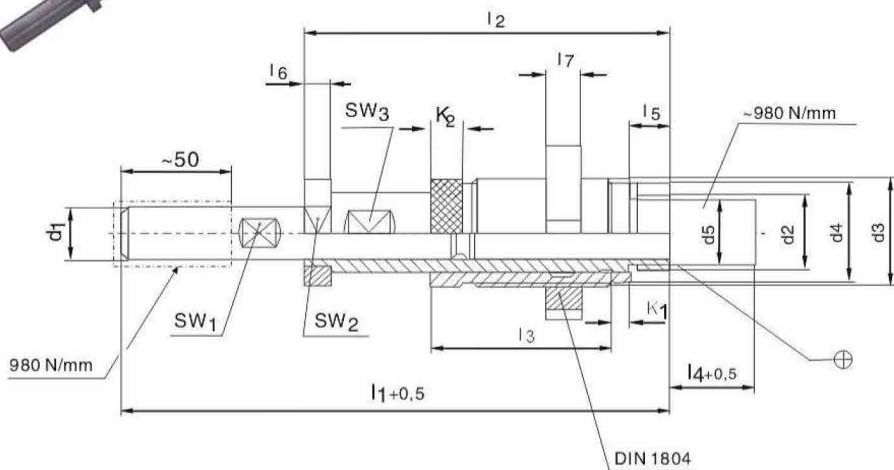


# 二次頂出 Z 169 TWO-STAGE EJECTORS

方便安裝加工機械互鎖設計，安全可靠，安裝行程計算請需精準，否則產品易損壞，請根據模具荷重要求選擇適合的規格。

It is convenient for installing processing machinery interlocking design so that it is safe and reliable. The installation stroke needs to be calculated accurately. Otherwise, the product is likely to be damaged. Select appropriate specification according to load requirement of the die.



Type	SW <sub>3</sub>	SW <sub>2</sub>	SW <sub>1</sub>	k <sub>2</sub>	k <sub>1</sub>	d <sub>4</sub>	d <sub>5</sub>	l <sub>7</sub>	l <sub>6</sub>	d <sub>7</sub>	l <sub>5</sub>	l <sub>3</sub>	l <sub>2</sub>	l <sub>1</sub>	d <sub>2</sub>	d <sub>3</sub>	H <sub>1</sub>		H <sub>2</sub>		d <sub>1</sub>	單位價 unit price
																	min.	max.	min.	max.		
Z169/16	20	28	13	8	5	30	30	11		11	26	56	112	164	M22x1, 5	M32x1, 5	5	30	3	50	16	
	22	27	38	17		6	40	28	12	16	36	75	148	220	M30x1, 5	M42x1, 5	6	40			22	
	30	38	55	24	10	7	50	38	13	21		80	170	255	M40x1, 5	M60x1, 5	7	50	4	70	30	
	40	46	65	32	14	8	65	50	14	22	45	98	200	270	M52x1, 5	M70x1, 5	7,5	60	5	80	40	

Order: Type No.  $\frac{d_1}{16}$  x  $\frac{pcs}{10}$   
Z169 -16 x 10