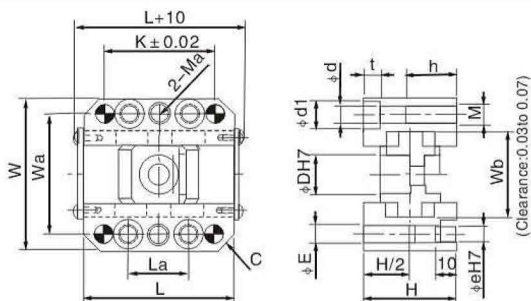


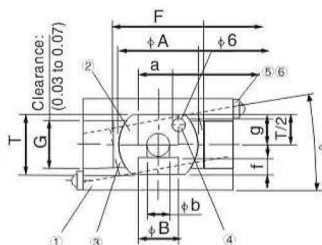
斜頂座 KOCUF

SLIDER CORE UNITS



● Table of Components

No.	Description	Qty.	Material and Remark
1.	Guide Rail	2	S45C (I C45 A 1045)
2.	Inclined pin Holder	1	S45C (I C45 A 1045)
3.	Slide Plate	2	Bronze with Graphite
4.	Loosening Lock	1	SK5M
5.	Lock Plate	2	Ss400 (A A36-89d,283-88)
6.	Flund Head Screw	4	SCM435 (I 34CrMo4 A 4137)



* Remove Lock Plate as required for operation.

D	W	W _a	L	L _a	K	M _a	C	H	e	E	d	d1	t	h	M	W _b
8	41	33	44	12	25	M4	3	24	4	5	3.4	6	3.4	10	M4	24
10	47	38	50	16	30	M5	3	28	5	5.5	4.5	8	5	15	M5	28
12	53	42	60	20	40	M8	4	36	6	7	6.6	11	4.8	20	M8	31
16	64	50	70	25	50	M8	6	40	6	6.6	6.6	11	6.5	20	M8	36
20	76	60	75	30	55	M10	8	46	8	9	8.6	14	8.5	25	M10	43
25	81	65	85	40	65	M0	8	48	8	9	8.6	14	8.5	25	M10	48
30	88	72	100	50	80	M10	8	54	8	9	8.6	14	8.5	25	M10	55
35	100	80	115	50	85	M12	8	60	10	11	11	18	6.5	30	M12	64
40	108	88	125	50	85	M12	8	65	10	11	11	18	7	30	M12	72

D	A	a	B	b	g	F	f	G	T	0度單價	指定斜度	單價 ¥ Unit price
8	20	7.5	10	5	6.5	25	5	13	16	500.00	1~5°	
10	20	8.5	12	6	6.5	32	4	17	16	530.00		
12	25	10	13	7	8.5	40	5	20	20	550.00		
16	30	13	16	9	10	45	6	24	24	630.00	1~5°	
20	40	17	20	11	13	45	8	24	30	700.00		
25	45	22	25	14	14	50	9.5	26	35	860.00		
30	50	27	25	14	15	60	9	30	38	960.00	1~5°	
35	55	31	25	14	15	70	10	34	40	1230.00		
40	60	36	32	18	16	80	11.5	38	43	1400.00	1~5°	

Order: [Type No.] - [d] x [Pcs]