

# 鎖模扣 GGS LATCH LOCK

材質：1.0503

硬度：55° ± 3°HRC



獨特的設計與精確的刻度尺保證了在第一次開模具有很高的精度。

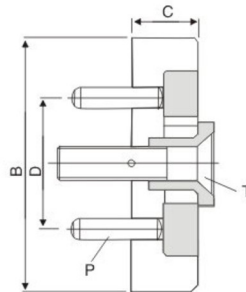
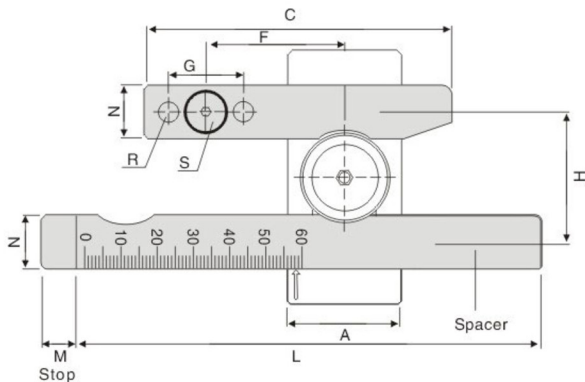
比傳統模式更節約成本，優化模具結構。

More accurate first plate opening compared to other conventional systems.

Scale lever indicates opening of the first plate.

Reduces costs compared to conventional mechanisms.

鎖模組件系列  
Mold lock and conventional series



Type	尺寸Size														sca	單價¥ Unit price	
	A	B	C	D	E	F	G	H	L	M	N	P(x2)	R(x4)	S(x2)			T
GGS.226616	22	66	16	38	75	30	25	32	105	10	15	φ 6x20	φ 6x30	M6x30	M6x35	40	2000.00
GGS.368619	36	86	19	46	102	43	32	42.7	153	12	20	φ 8x24	φ 8x36	M8x36	M8x40	60	2200.00
GGS.421024	42	106	24	56	124	51	40	50.2	190	15	24.5	φ 10x30	φ 10x40	M10x40	M10x45	80	2800.00



Order:  x   
GGS.226616 x 10

※注意：選擇所需的行程後，再固定墊板上的刻度杆。

Note: Fixup the scale bar in cushion plate before choose the length.

## Example 使用例

